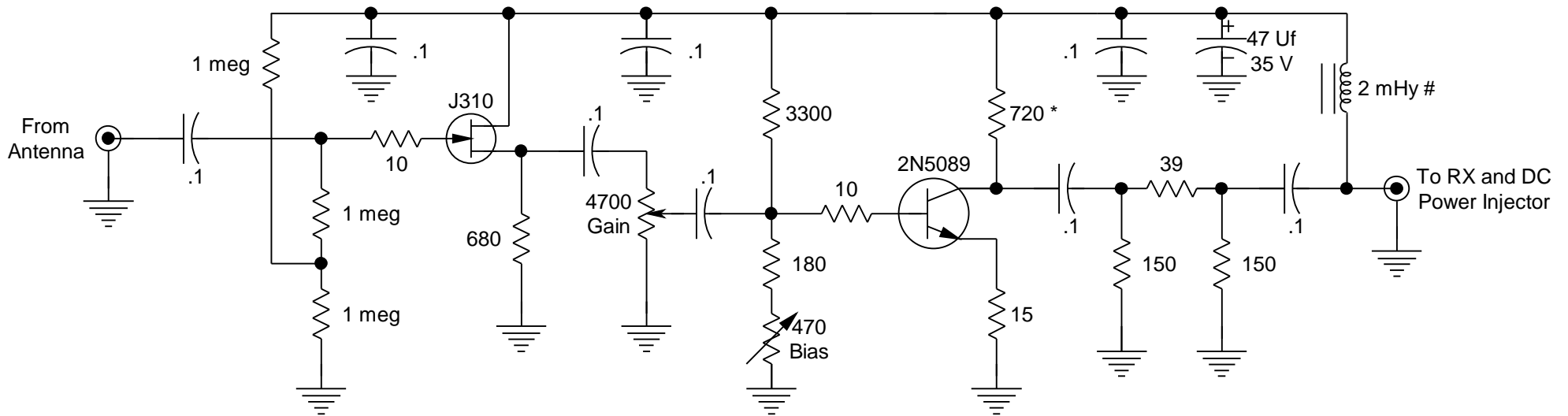


RF Preamp for "TreeTenna"

by W5JGV

14 Sept 2007

Circuit swiped from KO6BB and appropriately modified.
The original is at http://www.gheocities.com/ko6bb/pre-amp_2.html?20064



CIRCUIT NOTES:

- 1) * 720 Ohm resistor is made from a 390 and a 330 Ohm resistor in series.
- 2) # Ferrite core RF choke salvaged from small switching power supply.
- 3) The VCC power should be +12 to +15 VDC Max at 20 mA, and should be stable.
- 4) Adjust the 470 Ohm Bias pot for 1/2 of the VCC at collector of the 2N5089.
The correct bias will vary with changes in VCC.
- 5) RF drive to RX is adjusted by Gain pot.
- 6) Amplifier gain is approx. 30 dB.