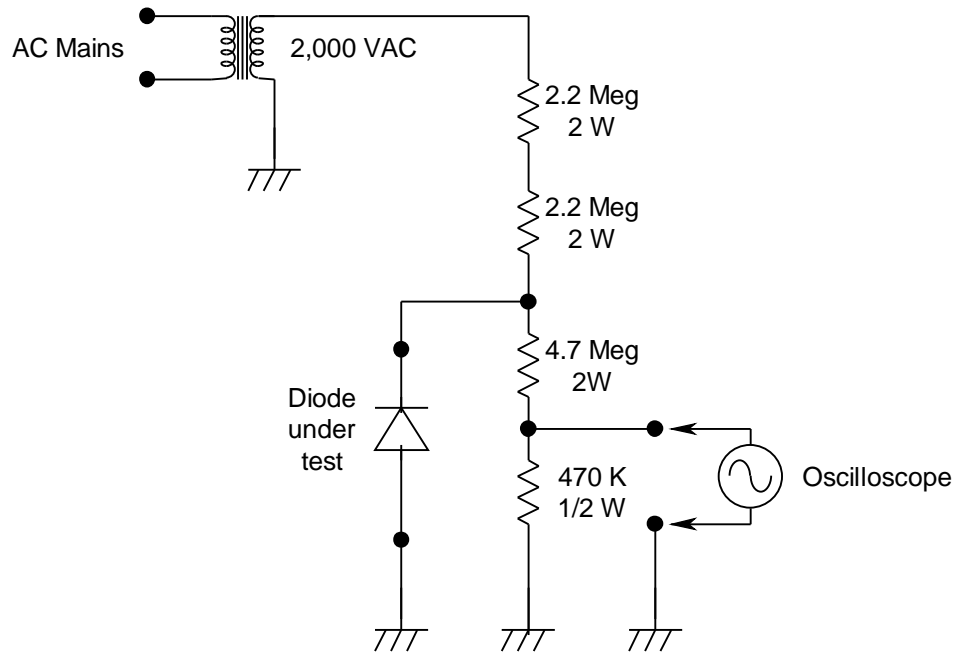


**Test Setup for Determining Zener Voltage  
of 1N400x Diodes**

Ralph Hartwell W5JGV  
July 10, 2004



**NOTES:**

Select diode having the flattest Zener voltage, i.e., the best flat-top clipped sine wave.  
Multiply Oscilloscope voltage reading by 11 for actual Zener voltage.  
Use 10X probe on oscilloscope.