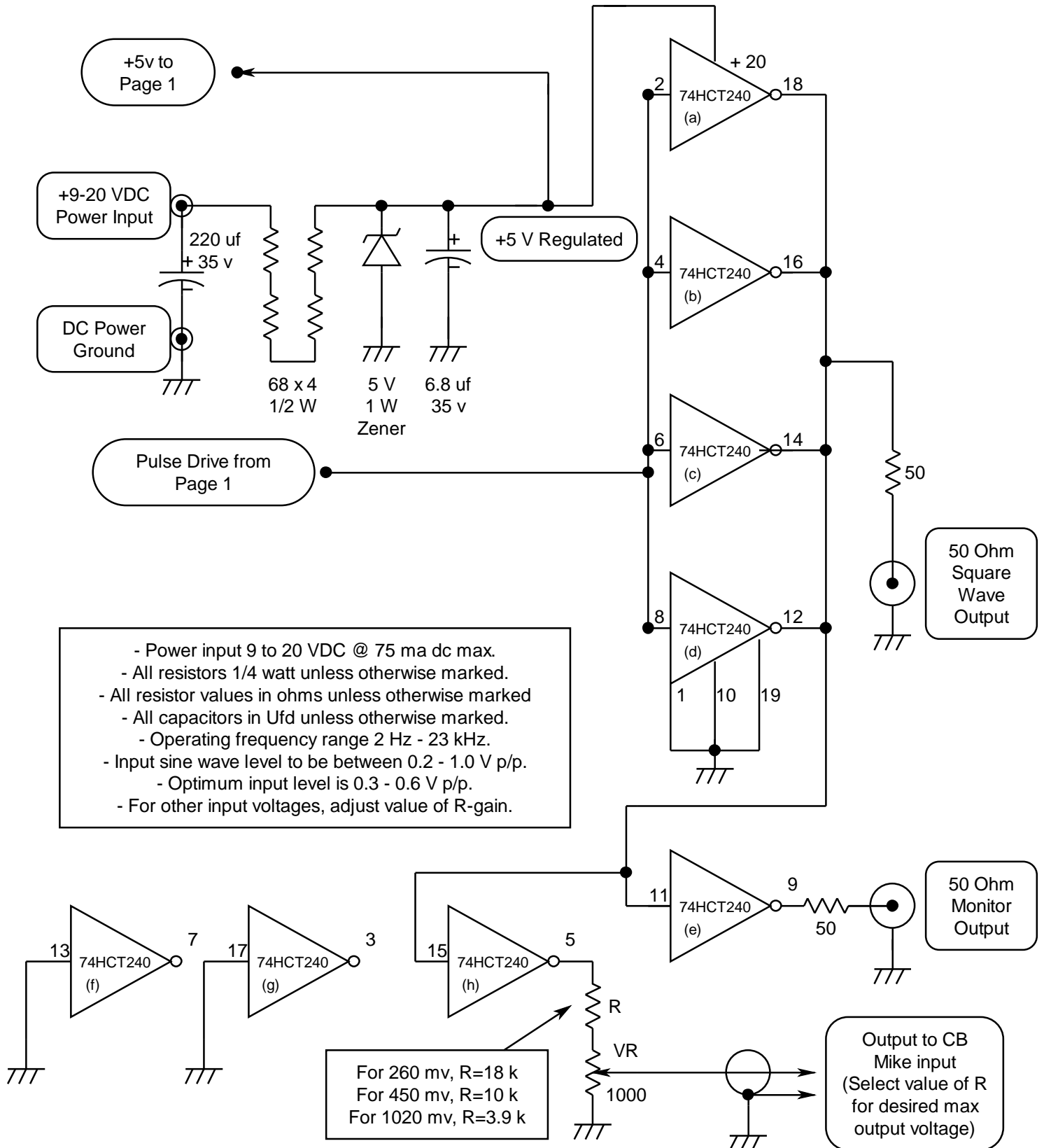


**Sine to Square Wave Converter SSQ-2P
with Phase Comparator**
For Rife/Bare Systems
Page 2 of 2
Copyright (c) 2001 by Ralph M. Hartwell II



- Power input 9 to 20 VDC @ 75 ma dc max.
- All resistors 1/4 watt unless otherwise marked.
- All resistor values in ohms unless otherwise marked.
- All capacitors in Ufd unless otherwise marked.
- Operating frequency range 2 Hz - 23 kHz.
- Input sine wave level to be between 0.2 - 1.0 V p/p.
- Optimum input level is 0.3 - 0.6 V p/p.
- For other input voltages, adjust value of R-gain.