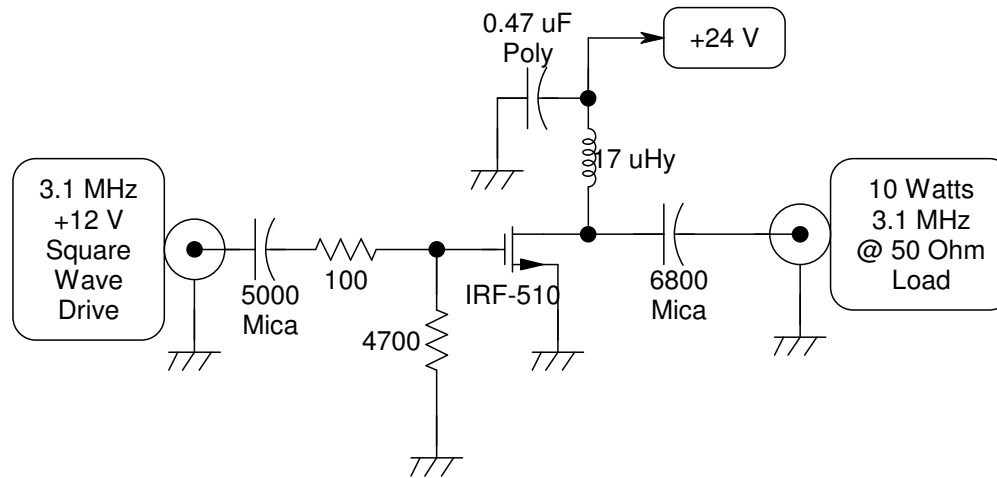


### 3.1 MHz Intermediate RF Power Amplifier

For Rife Beam Ray with 3.1 MHz Carrier  
& Audio Sweep Modulation

Copyright (c) 2011 by Ralph M. Hartwell II

V1.01 11 NOV 2011



#### NOTES:

- 17 uHy coil = 35 turns 26 AWG enameled copper wire close wound on 1/2" OD PVC pipe 21.5 MM or 7/8" OD.
- All resistors 1/2 watt.
- IRF-510 mounted on heat sink.