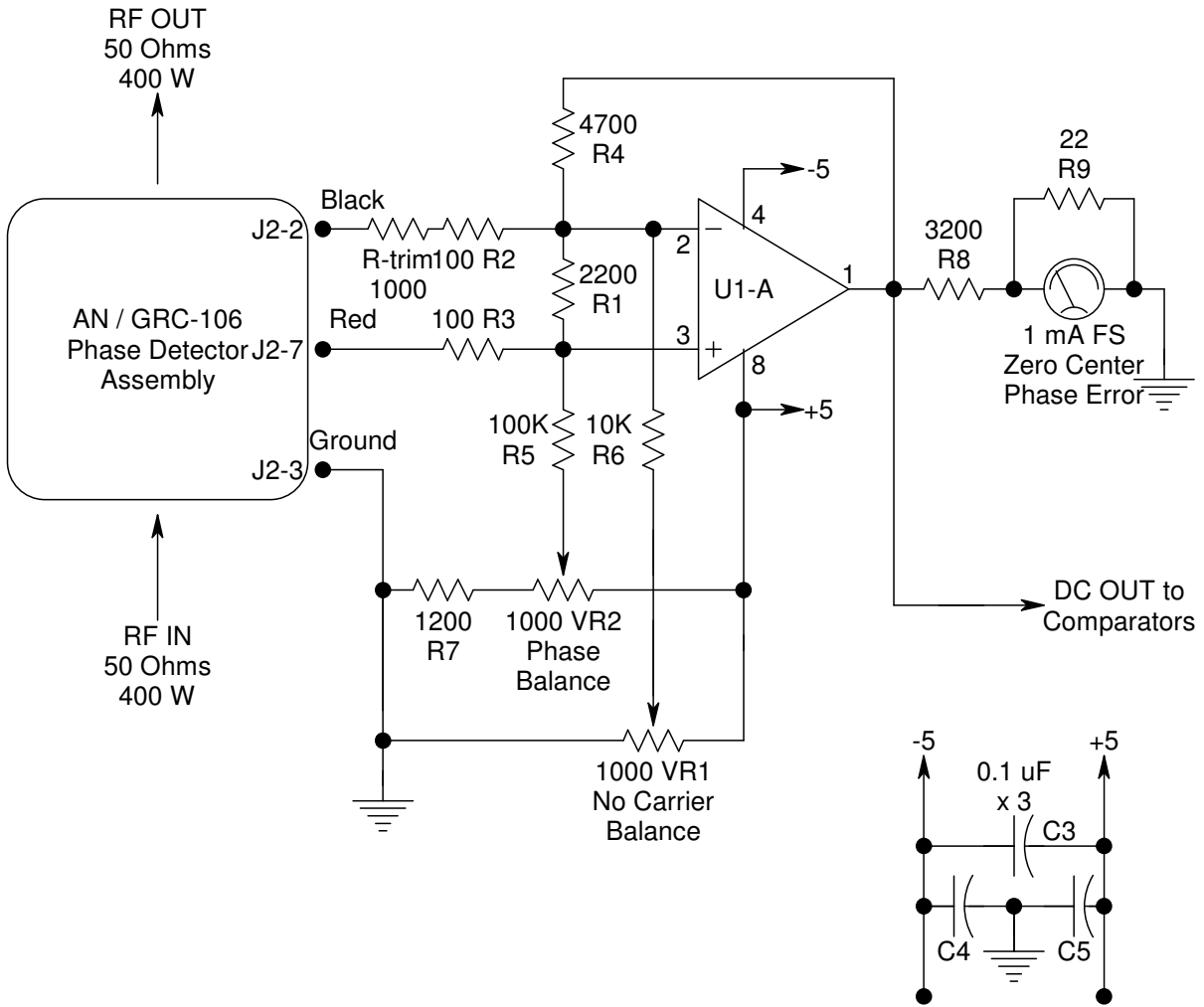


Automatic Phase Tracker for 600 Meter Antenna Tuning System
 Current to Voltage Converter / Buffer Amplifier
 28 January 2011
 Ralph Hartwell, W5JGV - WD2XSH/7



NOTES:

U1 = ECG941, LM158, LM258, LM238, LM2904, MC1458 or equivalent.
 U1-B Not used.
 R-trim compensates for phase detector unbalance. May require selection.

INITIAL SETUP ADJUSTMENTS:

- 1) Adjust NO CARRIER BALANCE for meter null with no RF carrier.
- 2) Adjust PHASE BALANCE for meter null at full carrier power with antenna tuned to resonance.

Note that these controls interact slightly, so several iterations will be necessary.

