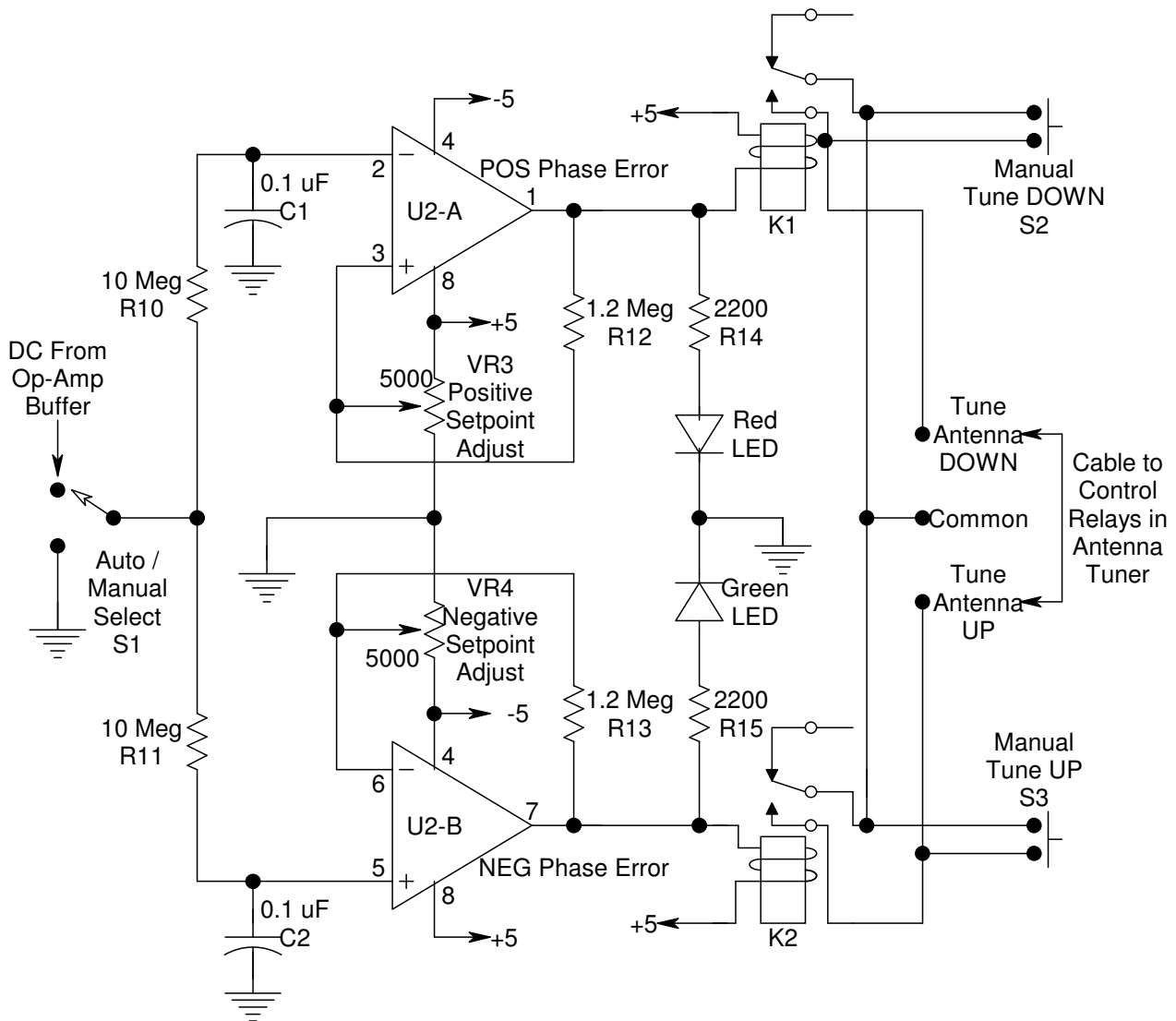


## Automatic Phase Tracker for 600 Meter Antenna Tuning System

Phase Comparators with Adjustable Deadband

28 January 2011

Ralph Hartwell, W5JGV - WD2XSH/7



### NOTES:

U1 = LM193, LM293, LM393, LM2903 or equivalent.

K1, K2 = Potter & Brumfield T81H5D312-12, 12 VDC coil, resistance 666 Ohms.

Positive Phase = Antenna tuned too high in frequency, line reactance = -j

Negative Phase = Antenna tuned too low in frequency, line reactance = +j

Red & Green LED's are optional, but useful for setup.