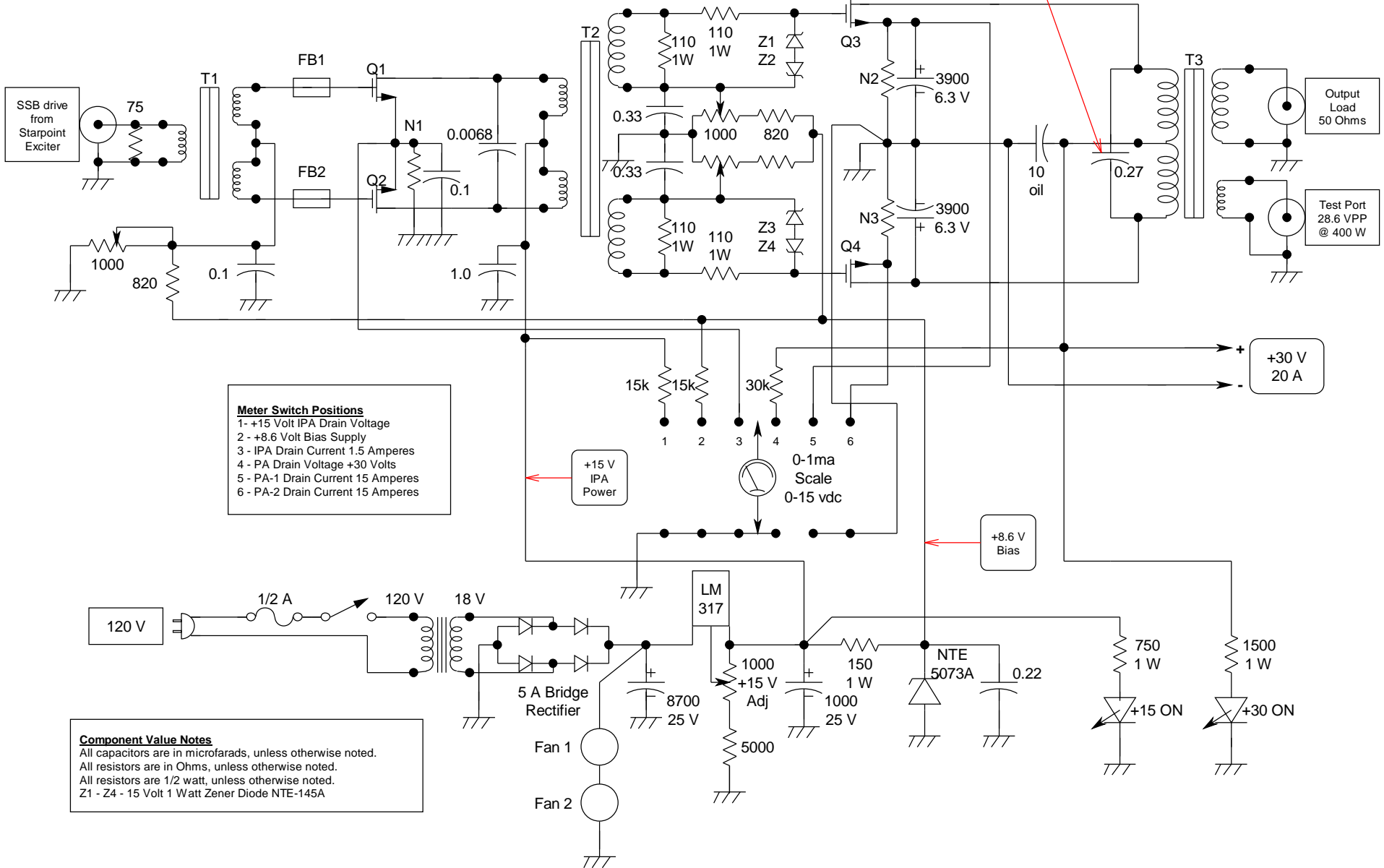
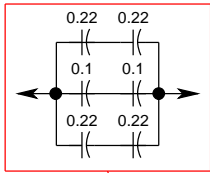


**166.5 KC 400 Watt Single Sideband Linear Amplifier**  
 for WC2XSR / 13  
 Designed by Ralph Hartwell W5JGV  
 13 April 2005



**Meter Switch Positions**  
 1 - +15 Volt IPA Drain Voltage  
 2 - +8.6 Volt Bias Supply  
 3 - IPA Drain Current 1.5 Amperes  
 4 - PA Drain Voltage +30 Volts  
 5 - PA-1 Drain Current 15 Amperes  
 6 - PA-2 Drain Current 15 Amperes

**Component Value Notes**  
 All capacitors are in microfarads, unless otherwise noted.  
 All resistors are in Ohms, unless otherwise noted.  
 All resistors are 1/2 watt, unless otherwise noted.  
 Z1 - Z4 - 15 Volt 1 Watt Zener Diode NTE-145A