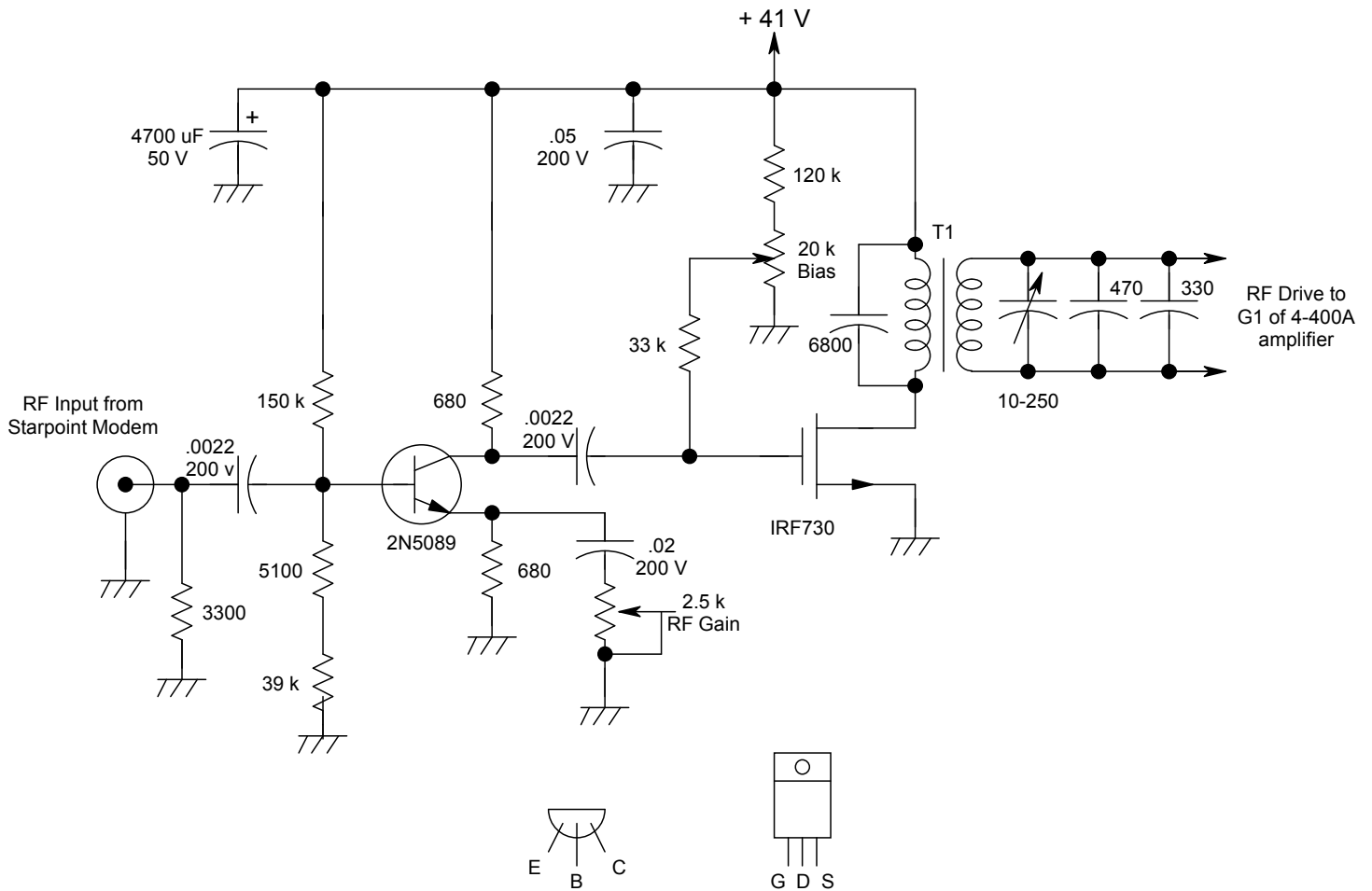


500 KHz RF Driver Amplifier
 by W5JGV
 2 Dec 2008



T1 - Pri = 18 turns 7 x #24 enameled twisted together
 Sec = 50 turns 24 from CAT-5 cable
 Core - T-200-26.

Adjust bias on IRF730 for minimum crossover distortion on RF Grid drive.

RF Input max = 1.75 V peak = 1.24 V RMS = 31 mW @50 Ohms

Amplifier is Class-A. Power output approximately 5 watts.