

**WC2XSR / 13 / W5JGV**

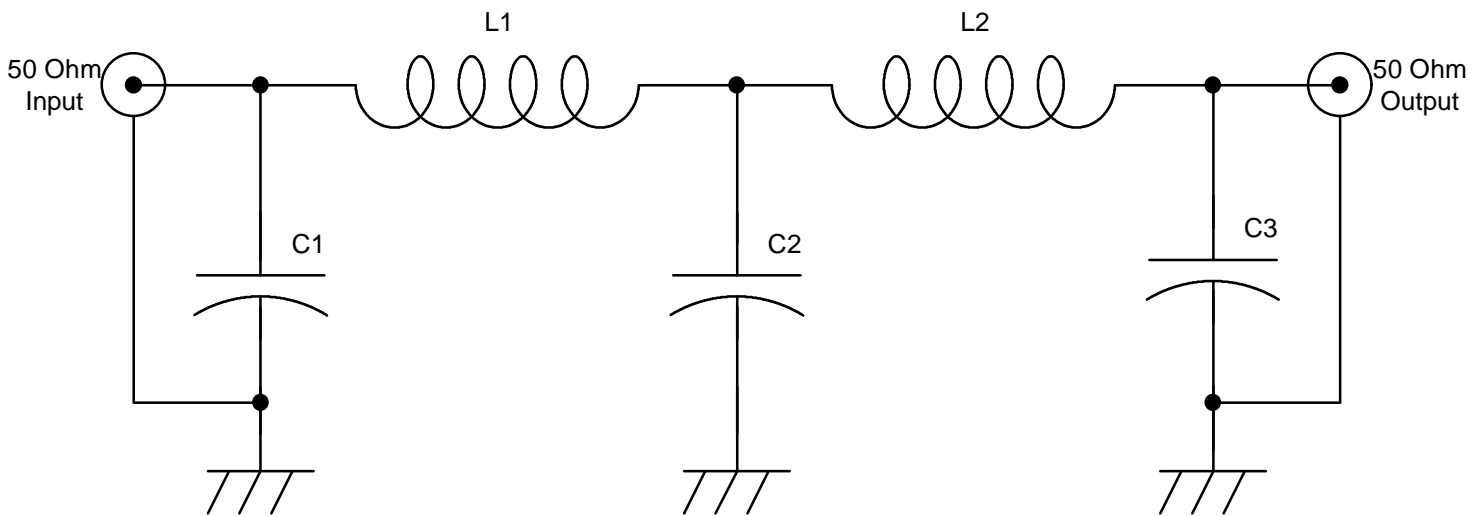
Low-Pass Filter

Fco = 275 KC

by Spectrotek Services

15 Jul 02

file: LP275-1



C1, C3 = 0.013 uF, Mica

C2 = 0.023 uF, Mica

(Voltage rating of C1 ,2 ,3, depend on power level - 2 KV is suitable)

L1, L2 = 40 uHy

(22 turns #12 THHN wound on 4" OD thinwall PVC drain pipe)

**NOTES:**

-Filter Cut-Off frequency = 275 KC.

-Filter is suitable for use between 70 KC - 200 KC at power levels of up to 500 Watts CW.

- Mount coils at right angles to each other.

- Mount coils so that the sides of the coils are at least 1.5 - 2 inches away from metal panels.

- The filter is symmetrical, so either end may be used as input or output.

- The filter should be mounted in a shielded enclosure to prevent harmonic radiation. A steel cabinet is preferred.